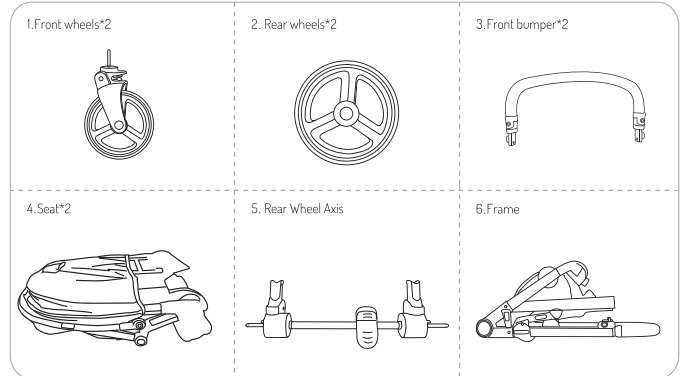


Note - Please take a few minutes to read this manual. This will help you assemble and use the stroller suitably. Keep this manual for future reference.

Before assembly, please double check all parts as shown are included in the package. For any missing or defective parts, or sharp edges, please contact customer service immediately. To guarantee the service life of the stroller, please use it correctly under the instructions and make it through inspection regularly. Never use it if any parts are missing or broken.

Parts & Accessories



1. Front wheels*2

3. Front bumper*2

5. Rear Wheel Axis

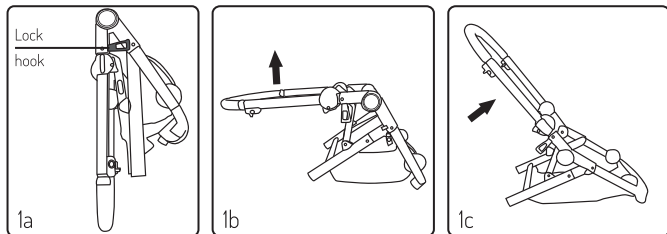
2. Rear wheels*2

4. Seat*2

6. Frame

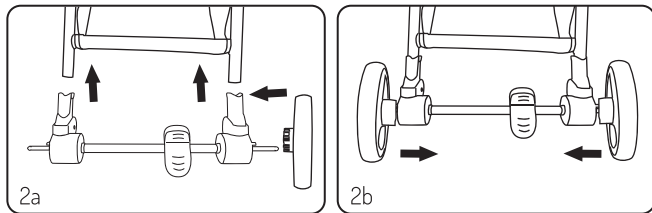
Assembly Instructions

Step 1



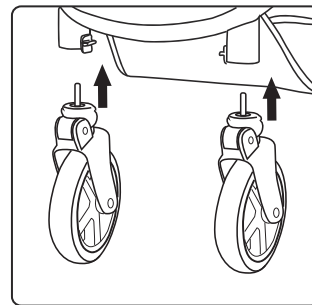
Release locking hook, pic(1a). Lift up the handle, pic(1b) and heard to “click” open the frame, pic(1c)

Step 2



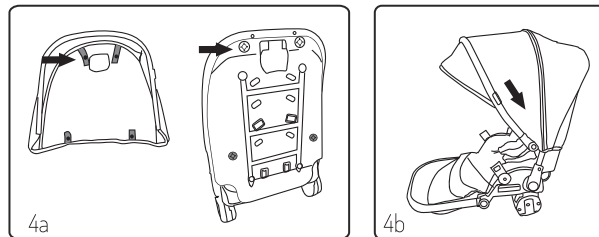
Assemble the rear wheel sets, pic (2a) Put both rear wheel sets in the rear tube at the same time until you hear a “click” sound. Insert the wheel axle in the seat hole and you will hear a “click” sound. Press the button to disassemble the wheels. pic (2b)

Step 3



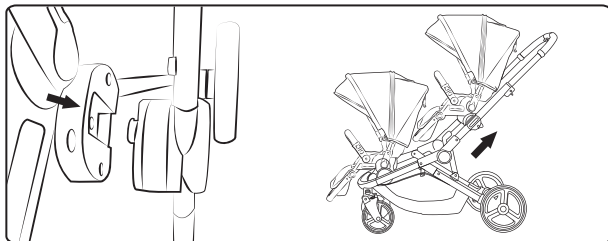
Insert the front wheel into the frame hole until you hear a “click” sound. To make sure it is fixed properly, pull down the front wheels after installing them. pic (3)

Step 4



Assemble the seat and canopy. Mount the four canopy buckles to the four round holes of the backrest and then pull the velcro which is on the canopy and backrest. Insert both sides of the front canopy tube to the tube seat. pic(4a-4b).

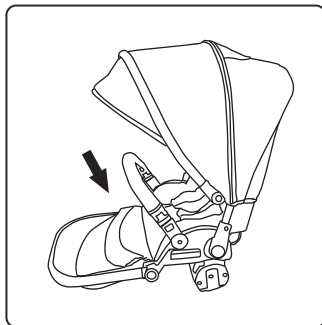
Step 5



When assembling the seat, put the seat insert on both sides of the frame hole until you hear a "click" sound. pic (5)

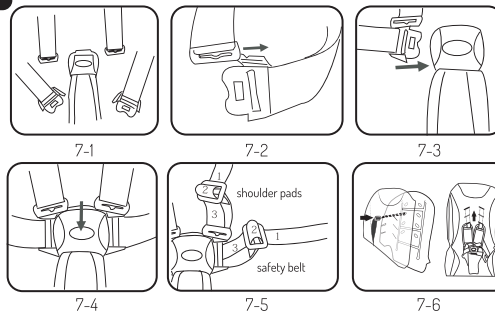
WARNING! When you use a double seat on the frame, please make sure the top seat is adjusted in the top position.

Step 6



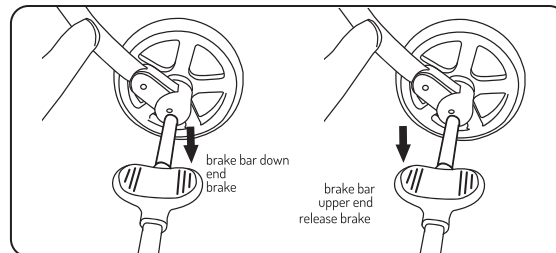
Insert the front bumper to the seat on both sides, pull down the front bumper after installing to make sure it is in place. pic (6)

Step 7



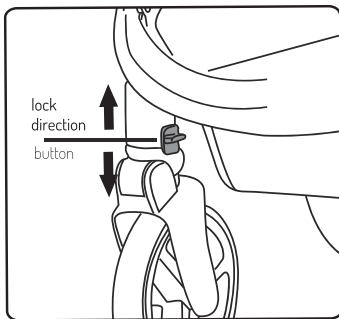
Press the round button in the middle to open the safety belt. Insert the waist belt into the hole and slide the plastic part in or out of the shoulder belt. To adjust the harness or waist belt, loosen the slack on both sides of each buckle. pic (7-1, 7-2, 7-3, 7-4, 7-5, 7-6)

Step 8



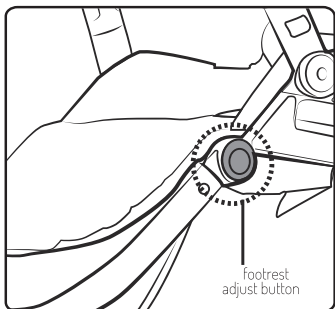
To use the rear brake when the stroller is not on move, step on the brake bar's down end. The brake rods insert into the wheel rims in the brake position. Step on the brake upper ends to release the brake to push the stroller. pic (8)

Step 9



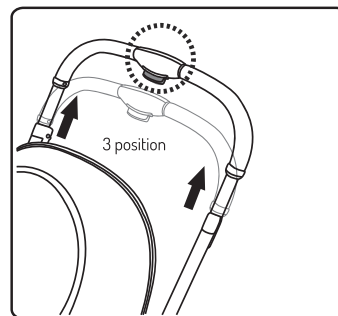
The front wheels direction can be locked and swiveled, pull up the lock direction button to enable the swivel wheels. Press down the lock direction button to enable the lock wheels. Please operate 2 front wheels at the same time. pic (9)

Step 10



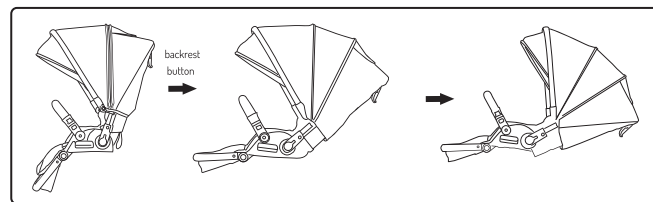
Press down the footrest adjust button with both hands at the same time to adjust the angle of footrest. pic (10)

Step 11



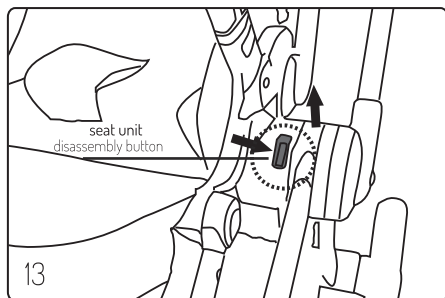
When adjusting the height of the pushing handle, press the down button at the handle to enable the 3 position adjustment. Release the pushing handle button once you adjust it to the suitable level and position. pic (11)

Step 12



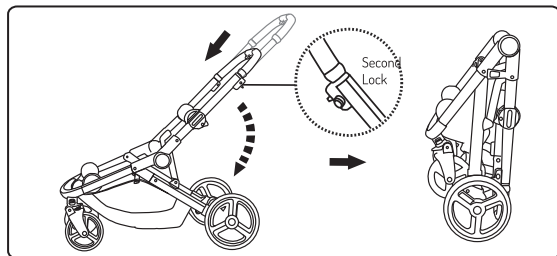
The backrest can be adjusted in 3 positions. To adjust it freely, press down the backrest button as shown in pic (12).

Step 13



During disassembling the seat unit, press the seat unit disassembly button with both hands, and lift up the armrest at the same time. pic (13)

Step 14



After disassembling the seat, adjust the handle bar to the lowest level position, press the right side of the second lock button and use both hands to pull the folding button upward. After that press down the handle bar until the lock hook is locked self-standing after folding the stroller. pic (14)



WARNING!

- To avoid serious injury from falling or sliding out of the stroller, always use the 5-point safety harness. Snap buckle together.
- Adjust the belt to get a snug fit around the child.

To Open Buckle

Press in the middle of the buckle to release.

For your child's safety

- This product is suitable for one child in each seat
- This product is suitable for children who cannot sit unaided, roll over and cannot push themselves up on their hands and knees
- Never leave the child unattended in the stroller
- Do not let other children play with the product
- Never use the stroller on stairs or escalators. Be careful while going up or down the slope
- Any load on the push bar and/or at the back of the backrest of the stroller will affect the balance
- This stroller is designed for accommodating babies between 0-36 months with a maximum bearing capacity of 15kgs per seat
- Do not place things more than 3kg in the storage basket
- Do not hang a purse, shopping bag, parcel or accessories on the handle
- Wheels should be locked before placing and removing the children
- Ensure all the locking devices are correctly engaged before use
- Sitting position is not suitable for children below 6 months
- Always use the safety harness
- Not advised to use on very rough terrains
- This stroller is not suitable for running and skating

- Make sure the children are at a safe distance while unfolding and folding the stroller
 - Please check the stroller for any loose parts, damaged or broken parts before each use
 - Replace at the first signs of damage
-

Cleaning and Maintenance

Cloth Cleaning

1. It is recommended to use a damp cloth for dust and general stains
 2. Use mild detergent liquid
 3. Seat cover and canopy cover are not machine washable
 4. Leave the washed cloth cover in a ventilated place and dry it. Do not expose it to direct sunlight
 5. Do not brush the cloth cover hard as it may cause damage to the fabric slope
-

Frame Cleaning

1. Do not use a corrosive liquid to scrub the frame
2. Use a wet cloth and mild liquid cleaner to wash the frame