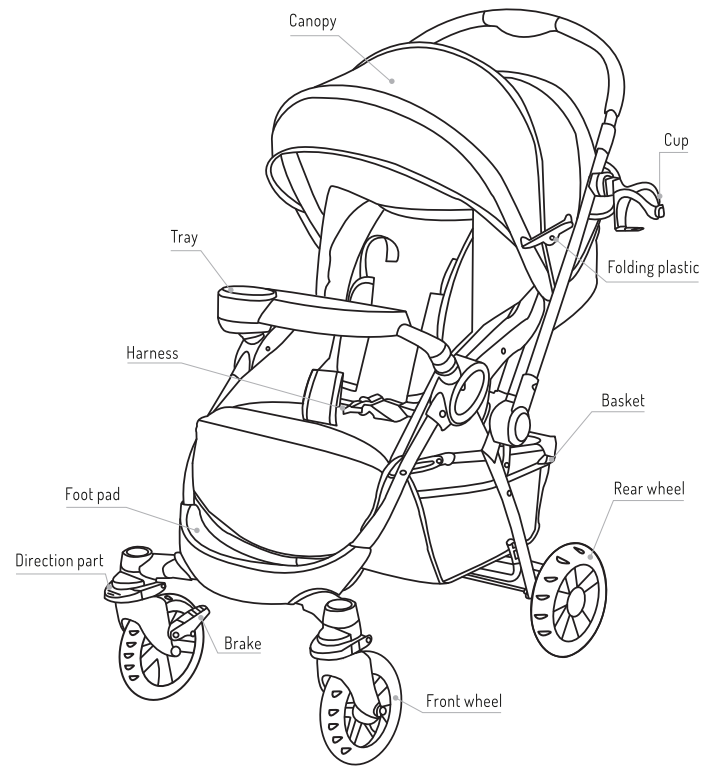


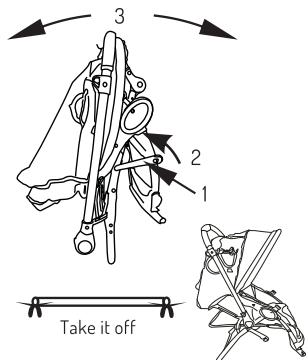
1. Parts & Accessories



Note - Please take a few minutes to read this manual. This will help you assemble and use the stroller suitably. Keep this manual for future reference.

Before assembly, please double check all parts as shown are included in the package. For any missing or defective parts, or sharp edges, please contact customer service immediately. To guarantee the service life of the stroller, please use it correctly under the instructions and make it through inspection regularly. Never use it if any parts are missing or broken.

Assembly Instructions



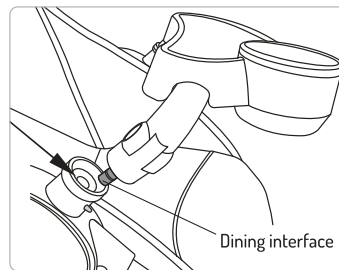
Open the Stroller

Loose the folding latch and unfold the stroller until it's fully erected and you hear a "click" sound. Open the frame as shown in the picture.



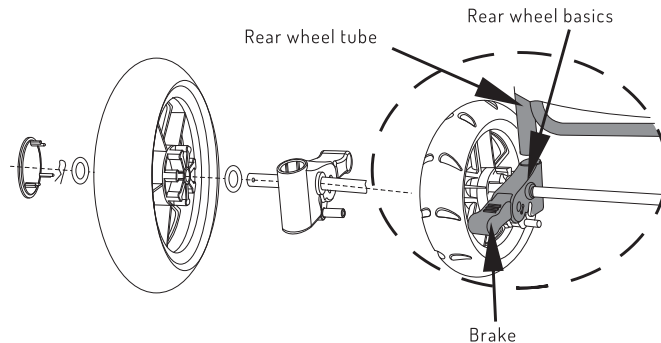
Opening the Canopy

Pull forward to open the canopy, push backwards to close the canopy.



Dining Plate Installation

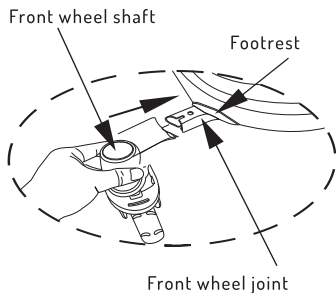
Insert the interface part into the hole firmly on both sides to install the dining plate. Conversely, press the bottom then you can pull out the dining plate.



Rear Wheel Installation

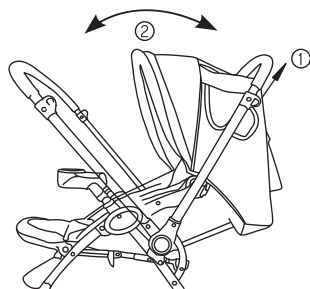
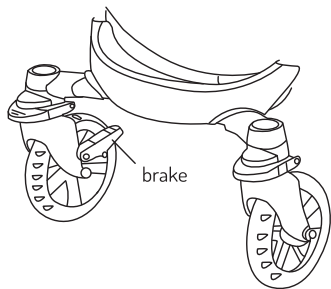
Insert the axle in the hole and washer on the axle, insert the flexible pin, and finally cover the wheel cover. Insert both rear wheel basics respectively until they are locked.

(Attention: The brake is in the back direction)



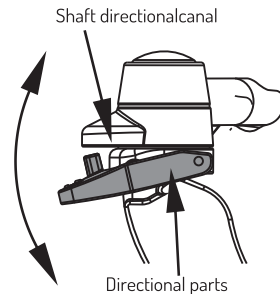
Front Wheel Installation

- Put the front wheel sets into the axis.
- To lock the swivel wheels: lift up the positioning part
- To unlock the swivel wheels: press down the positioning part
- Press the button to detach the wheels as shown in the picture



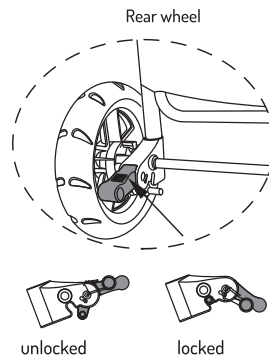
Cup Holder Assembly

Set the cup holder firmly as shown in the image



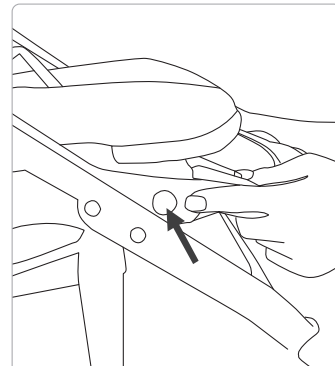
Front Wheel Directional

Pull the directional parts upwards and then clip it in the shaft directional canal, so the front wheel can be directional, instead just to unlock.



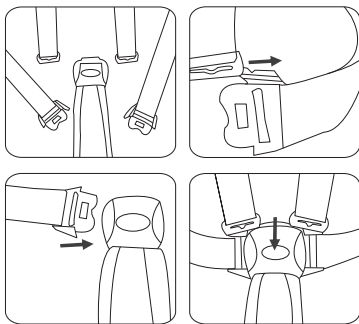
Using the Brake

To lock the brakes: push the brake lever down to engage the brakes. To release the brakes: lift the brake lever up



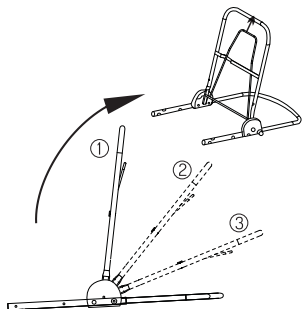
Adjusting the Footrest

Press the two buttons on the side of the stroller. Up or down to the desired position at the same time



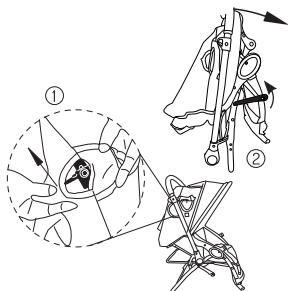
Using the Safety Belt Harness

Press the round button in the middle to open the safety belt. Insert the waist belt into the hole and slide the plastic part in or out of the shoulder belt. To adjust the harness or waist belt, loosen the slack on both sides of each buckle.



Adjusting the Backrest

The backrest can be adjusted as sitting status, lying status, sleeping status; use hands to pull the steel support at backrest.



Folding the Stroller

Open the covers on the side of the canopy, pull the hook inside and push forward the handle, then the stroller will be folded. Fix the fold lock hook, and the stroller can be standing individually.



WARNING!

To avoid serious injury from falling or sliding out of the stroller, always use the 5-point safety harness. Snap buckle together.

- Adjust the belt to get a snug fit around the child.
- To Open Buckle
- Press in the middle of the buckle to release.

For your child's safety

- This product is suitable for one child at a time
- This product is suitable for children who cannot sit unaided, roll over and cannot push themselves up on their hands and knees
- Never leave the child unattended in the stroller
- Do not let other children play with the product
- Never use the stroller on stairs or escalators. Be careful while going up or down the slope
- Any load on the push bar and/or at the back of the backrest of the stroller will affect the balance
- This stroller is designed for accommodating babies between 0-36 months with a maximum bearing capacity of 15kgs
- Do not place things more than 3kg in the storage basket
- Do not hand purse, shopping bag, parcel or accessories on the handle
- Wheels should be locked before placing and removing the children
- Ensure all the locking devices are correctly engaged before use
- Sitting position is not suitable for children below 6 months
- Always use the safety harness
- Not advised to use on very rough terrains

- This stroller is not suitable for running and skating
- Make sure the children are at a safe distance while unfolding and folding the stroller
- Please check the stroller for any loose parts, damaged or broken parts before each use
- Replace at the first signs of damage

Cleaning and Maintenance

• Cloth Cleaning

1. It is recommended to use a damp cloth for dust and general stains
2. Use mild detergent liquid
3. Seat cover and canopy cover are not machine washable
4. Leave the washed cloth cover in a ventilated place and dry it. Do not expose it to direct sunlight
5. Do not brush the cloth cover hard as it may cause damage to the fabric

Frame Cleaning

1. Do not use a corrosive liquid to scrub the frame
2. Use a wet cloth and mild liquid cleaner to wash the frame